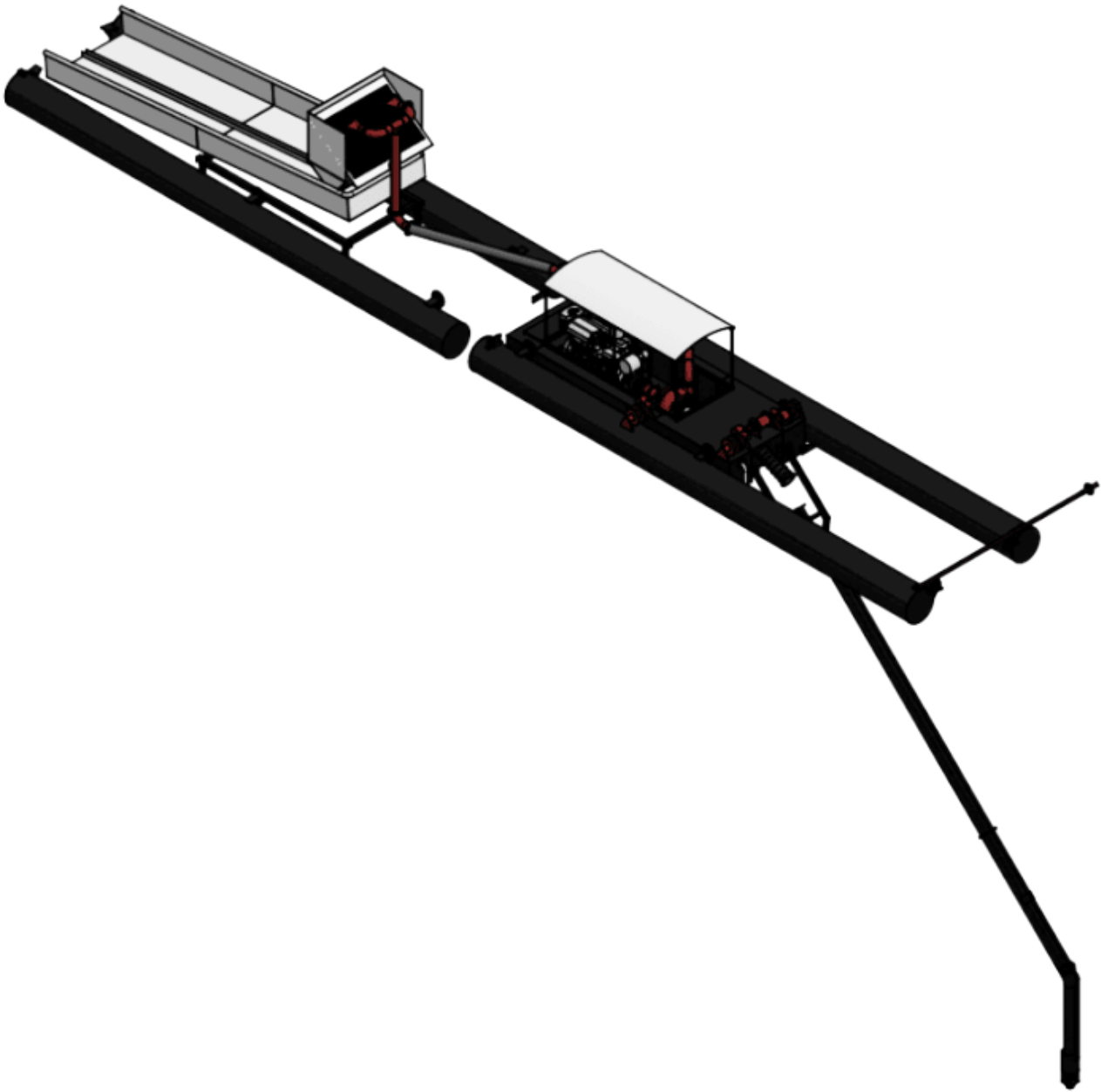


# Floating Gold Dredge: Easy Access to Shallow Waters for Better Results



## Floating Gold Dredge

When choosing a gold dredge design, it's important to consider factors such as durability, efficiency, effectiveness, and ease of use. A well-designed gold dredge should be able to handle different types of sediment and soil found in rivers, streams, and other water bodies, and should be efficient and effective in extracting gold.

One type of gold dredge that meets these design criteria is a floating gold dredge. This type of dredge is designed for mobility and access to shallow waters, where sediment and soil containing gold particles can be found. Its ability to move easily on the water's surface makes it

# Floating Gold Dredge: Easy Access to Shallow Waters for Better Results

a popular choice for gold enthusiasts.

The floating gold dredge's design also allows for movement, making it easier to access different areas in the water. This type of dredge is known for its effectiveness in extracting gold particles from sediment and soil, and for its efficiency in processing the extracted material.

Overall, the design of a gold dredge is critical to its effectiveness in extracting gold from sediment and soil in rivers, streams, and other water bodies. A well-designed dredge that is durable, efficient, effective, and easy to use, such as a floating gold dredge, can significantly increase the chances of finding gold and making the most of this exciting and lucrative activity.

Interested in a [Gold Dredge Boat](#) that is for sale?

