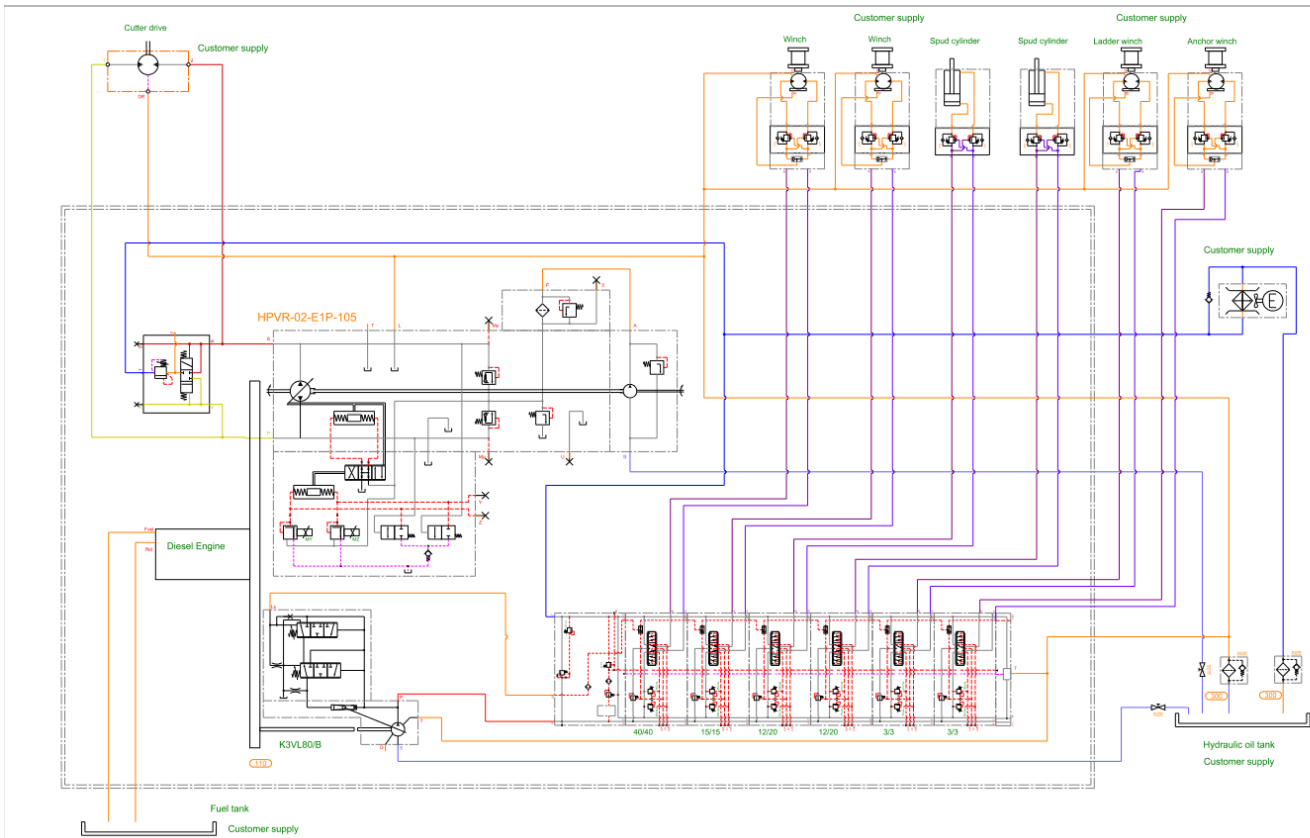


Hydraulic System for a Cutter Suction Dredger



Hydraulic System for a Cutter Suction Dredger

A cutter suction dredger (CSD) is a type of ship that is used for digging and dredging operations in shallow waters. The hydraulic system is a key component of the CSD and plays a crucial role in controlling and powering various functions on the ship.

The hydraulic system in a cutter suction dredger typically consists of the following components:

1. Hydraulic pumps: These pumps generate the high-pressure fluid that is needed to power the hydraulic system. There are typically multiple pumps on a CSD, each of which can be used to power different functions.
2. Hydraulic motors: These motors convert the high-pressure fluid into mechanical energy that can be used to power various functions on the ship, such as the cutterhead, the spuds, and the winches.
3. Hydraulic valves: These valves control the flow of hydraulic fluid to different parts of the system, allowing the operator to control the speed and direction of various functions.
4. Reservoirs: These tanks store the hydraulic fluid that is used by the system. They are typically located near the pumps and motors to provide easy access to the fluid.

Hydraulic System for a Cutter Suction Dredger

5. Filters: These devices remove any contaminants from the hydraulic fluid, ensuring that the system operates smoothly and without damage to the pumps, motors, and other components.

The hydraulic system on a cutter suction dredger is controlled by a computerized control system that allows the operator to control various functions on the ship, such as the cutter, the suction head, and the discharge pipes. The system can be programmed to perform a variety of dredging operations, such as digging a channel, creating a lake, or removing material from the seabed.

Overall, the hydraulic system on a cutter suction dredger is an essential component that plays a critical role in ensuring the efficiency and effectiveness of the ship's dredging operations.

When you need a Hydraulic system for a [cutter suction dredger](#) CSD. Oiltech Engineering boasts over 20 years of experience in building and manufacturing hydraulic systems for dredgers. This, along with continuous product improvements, makes Oiltech your first choice when deciding on a supplier of hydraulic equipment.